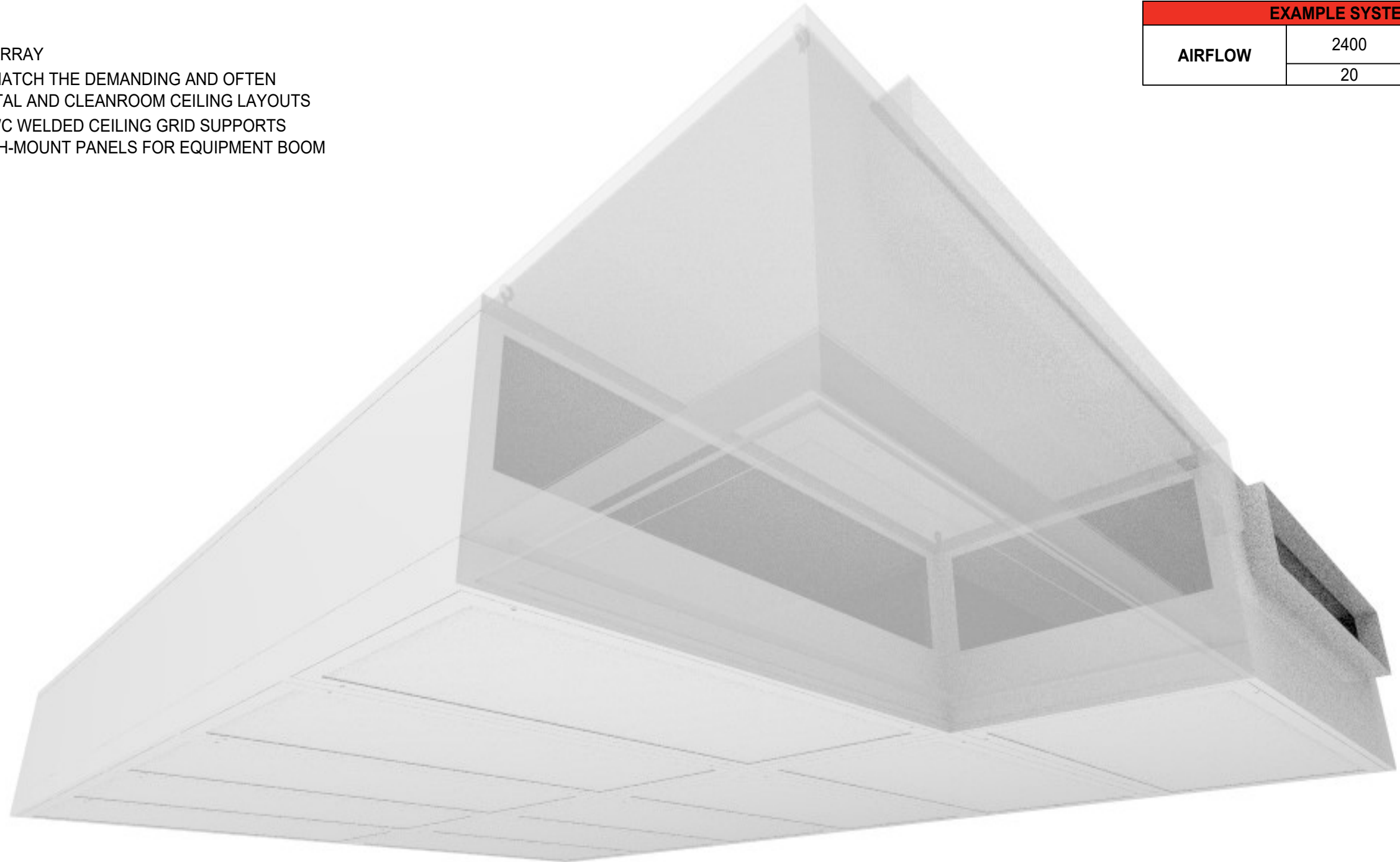


# HGP

## HOSPITAL GRADE COMMON PLENUM SYSTEM EXAMPLE SYSTEM FOR A TRADITIONAL OR

### FEATURES:

- LAMINAR FLOW DIFFUSER ARRAY
- FULLY CUSTOMIZABLE TO MATCH THE DEMANDING AND OFTEN CROWDED MODERN HOSPITAL AND CLEANROOM CEILING LAYOUTS
- OPTIONAL PERIMETER HGWC WELDED CEILING GRID SUPPORTS ACCESS PANELS AND FLUSH-MOUNT PANELS FOR EQUIPMENT BOOM INTEGRATION



EXAMPLE SYSTEM		
AIRFLOW	2400	CFM
	20	ACH

**price** | **CRITICAL ENVIRONMENTS**

Project:

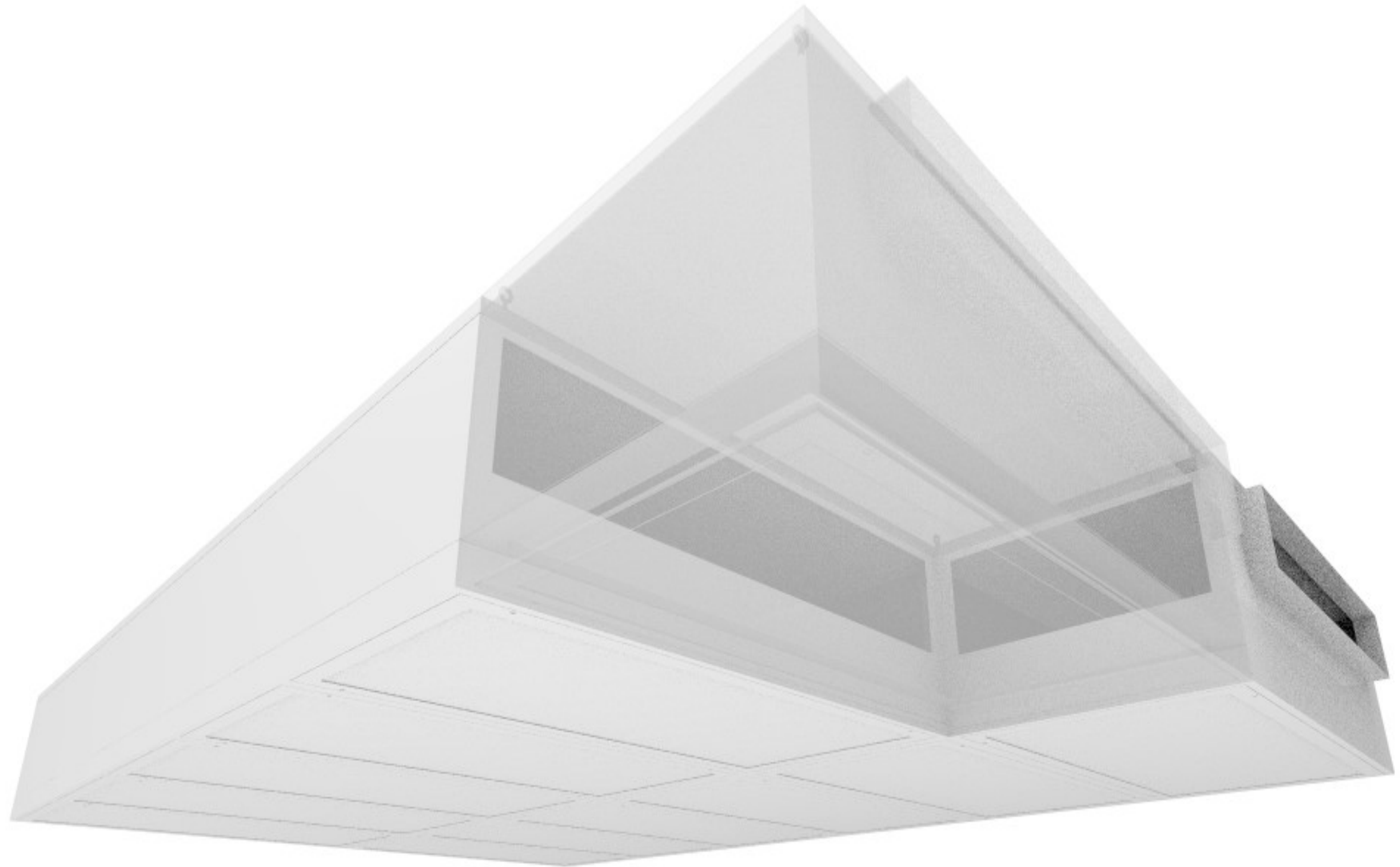
275013

Revision: 0

04-28-2023



# HOSPITAL GRADE COMMON PLENUM SYSTEM 3D INTERACTIVE MODEL - TRADITIONAL OR



ORDER OF INSTALLATION  
(CLICK BUTTONS TO TOGGLE VIEWS)

**BOOM SUPPORTS**  
(by Others)

**HGP**  
(View A)

**HGP**  
(View B)

**HGP**  
(View C)

**HGWC CEILING GRID**  
(View A)

**HGWC CEILING GRID**  
(View B)

**CP-SCF CEILING PANELS**

**CP-SC CEILING PANELS**

**FINAL INSTALLATION**

CLICK IMAGE TO  
ACTIVATE 3D PDF



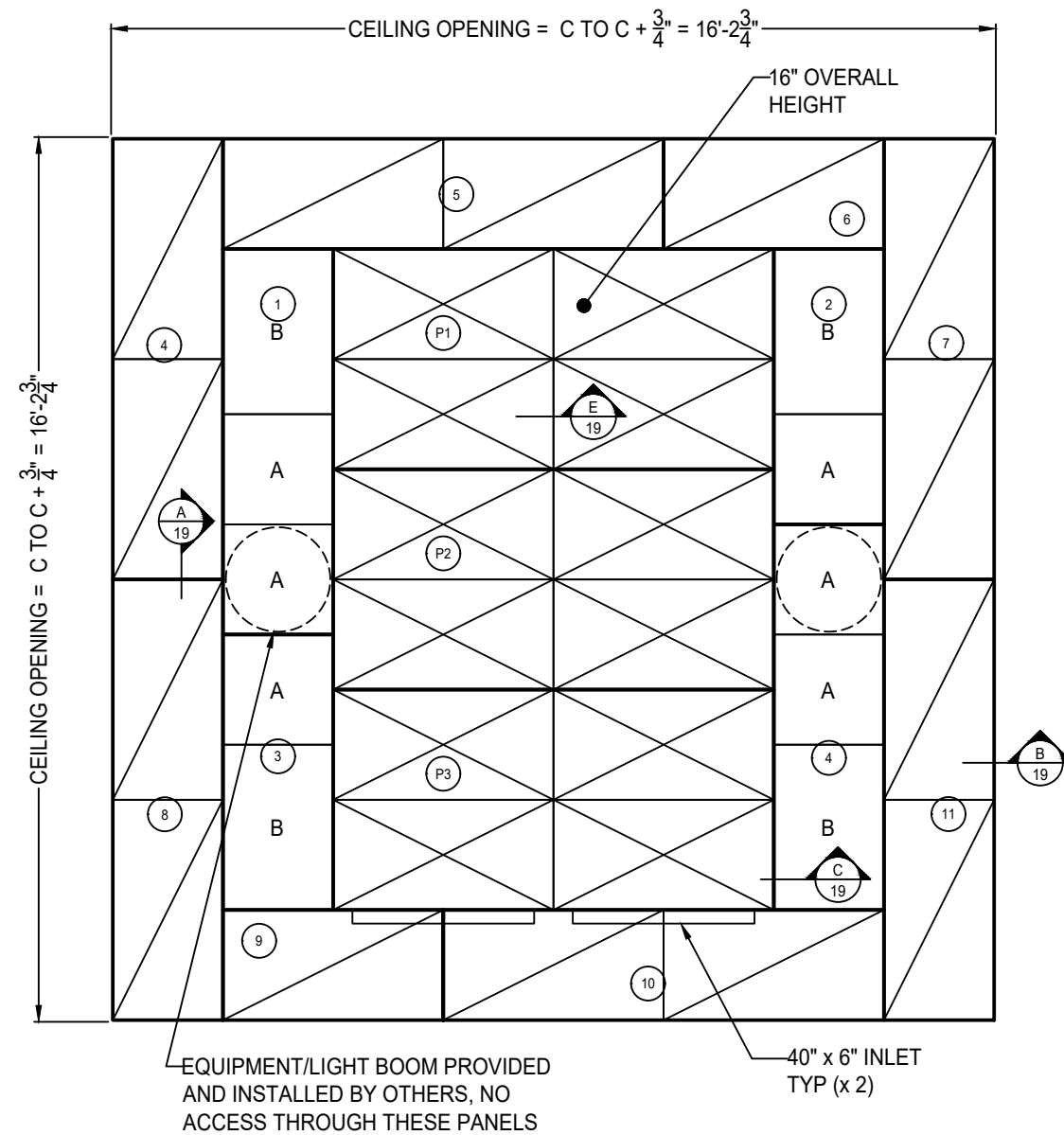
Project:		
275013	Revision: 0	04-28-2023

- USE THE SCROLL WHEEL TO ZOOM
  - HOLD DOWN THE LEFT MOUSE BUTTON TO ROTATE
  - HOLD DOWN CTRL AND LEFT MOUSE BUTTON TO MOVE
- BOOM SUPPORT PLATE AND SUPPORT TO STRUCTURE ARE DESIGNED, PROVIDED, AND INSTALLED BY OTHERS

# HGP

## HOSPITAL GRADE COMMON PLENUM SYSTEM

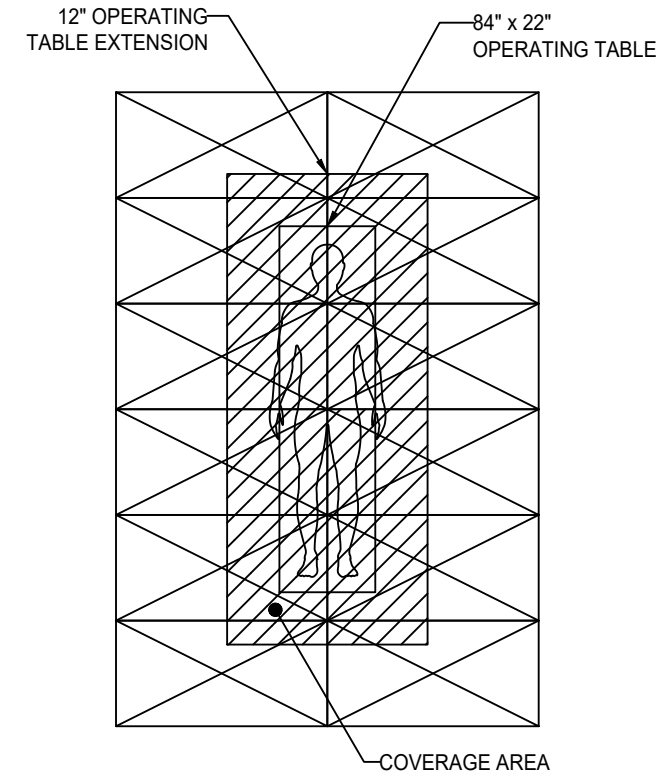
### REFLECTED CEILING PLAN - TRADITIONAL OR



HGP AREA = 96 sq. ft. HGWC AREA = 144 sq. ft.

HGP - HOSPITAL GRADE COMMON PLENUM SYSTEM	HGWC LOOSE HALF TEE PERIMETER TRIM PIECE	LIGHT FIXTURES (BY OTHERS)	SCF - SOLID CORE FLUSH MOUNT PANELS	SC - SOLID CORE ACCESS PANELS
24 x 48 (x 12)	120" (x 2)	24 x 48 (x 12)	A: 24 x 24 (x 2)	A: 24 x 24 (x 4) B: 24 x 36 (x 4)

### ASHRAE 170-2021 TABLE COVERAGE VERIFICATION - TRADITIONAL OR



**THIS LAYOUT COMPLIES WITH ASHRAE 170-2021 7.4.1.b.**

ASHRAE 170-2021 7.4.1.a. COMPLIANCE AIRFLOW RANGE	ASHRAE 170-2021 7.4.1.b. COMPLIANCE
2400 - 3360 CFM BASED ON 96 SQFT	0% OF THE 12" OPERATING TABLE EXTENSION USED FOR NON DIFFUSER USES

#### ASHRAE 170-2021

7.4.1.a. - THE AIRFLOW SHALL BE UNIDIRECTIONAL, DOWNWARDS, AND THE AVERAGE VELOCITY OF THE DIFFUSERS SHALL BE 25 TO 35 CFM/SQFT (127 TO 178 L/S/QM). THE DIFFUSERS SHALL BE CONCENTRATED TO PROVIDE AN AIRFLOW PATTERN OVER THE PATIENT AND SURGICAL TEAM.

7.4.1.b. - THE COVERAGE AREA OF THE PRIMARY SUPPLY DIFFUSER ARRAY SHALL EXTEND A MINIMUM OF 12 IN. (305 mm) BEYOND THE FOOTPRINT OF THE SURGICAL TABLE ON EACH SIDE. WITHIN THE PORTION OF THE PRIMARY SUPPLY DIFFUSER ARRAY THAT CONSISTS OF AN AREA ENCOMPASSING 12 IN. (305mm) ON EACH SIDE OF THE FOOTPRINT OF THE SURGICAL TABLE, NO MORE THAN 30% OF THIS PORTION OF THE PRIMARY SUPPLY DIFFUSER ARRAY AREA SHALL BE USED FOR NON DIFFUSER USES SUCH AS LIGHTS, GAS COLUMNS, EQUIPMENT BOOMS, ACCESS PANELS, SPRINKLERS, ETC.



Project:

275013

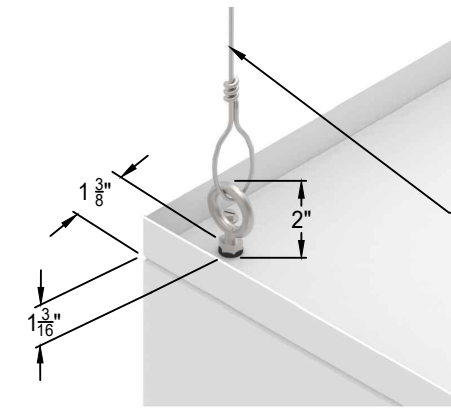
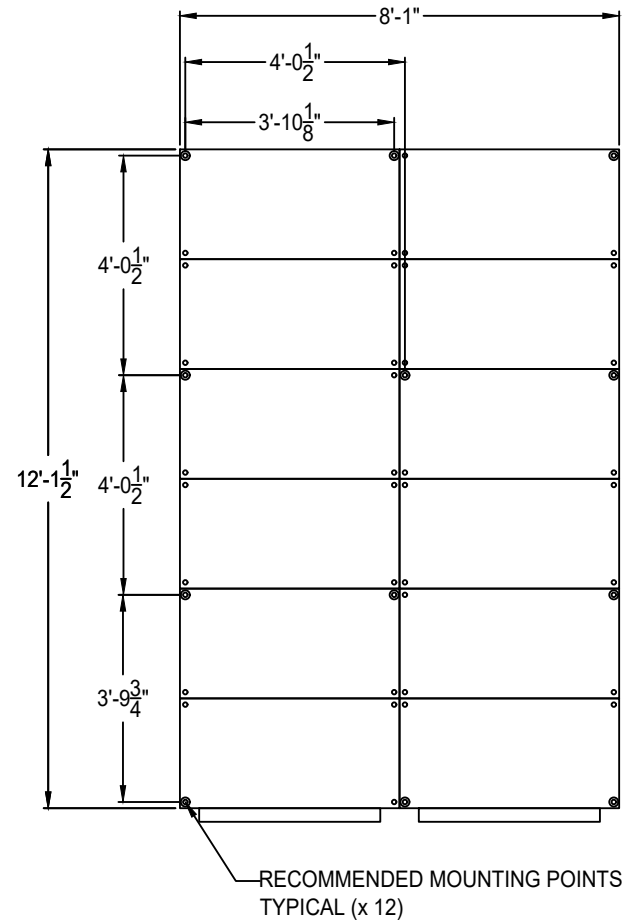
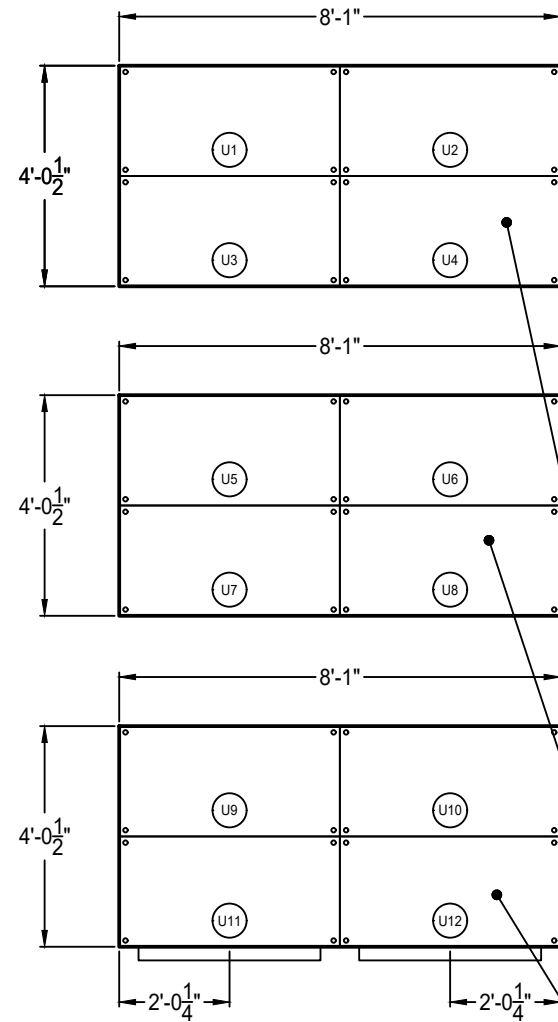
Revision: 0

04-28-2023

- B12 STANDARD WHITE FINISH
- PANEL CUTOUTS FOR BOOMS DONE IN FIELD BY OTHERS
- THE CEILING IS FACTORY PREMANUFACTURED TO SIZES AND TOLERANCE +/-  $\frac{1}{16}$ "
- SITE ADJUSTMENTS TO PERIMETER SOFFITS AND/OR DRYWALL MAY BE REQUIRED AND ARE THE RESPONSIBILITY OF THE INSTALLER
- ASHRAE 170 VERIFICATION IS SHOWN TO ASSIST IN PROJECT COORDINATION. FINAL ASHRAE 170 COMPLIANCE, AS WELL AS COMPLIANCE WITH ALL APPLICABLE LOCAL CODES AND REQUIREMENTS REMAINS THE RESPONSIBILITY OF THE EOR OR INSTALLER ON THE PROJECT

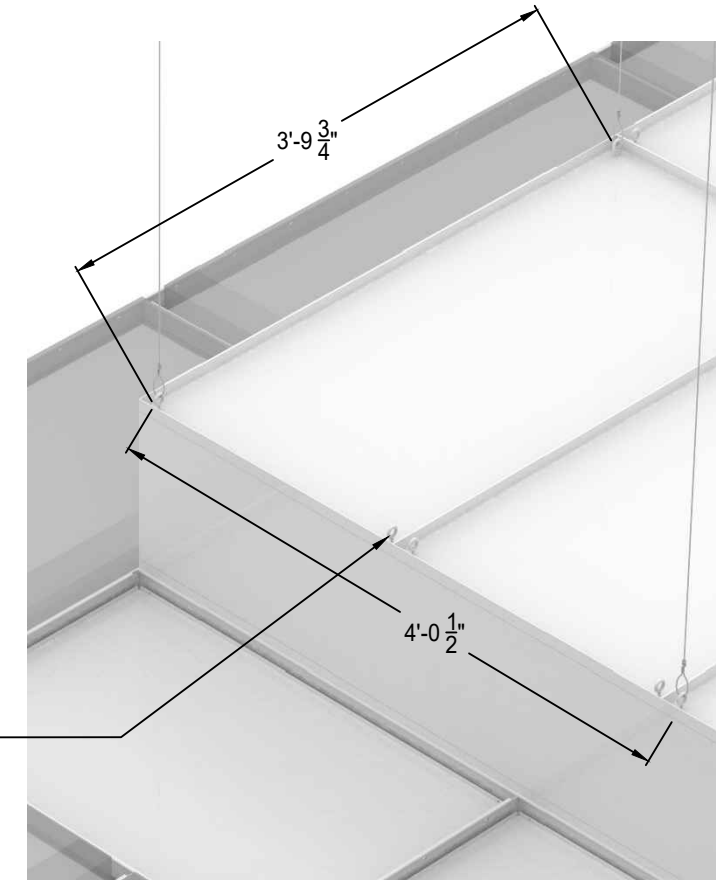
# HGP

## HOSPITAL GRADE COMMON PLENUM SYSTEM HGP SHIP SECTION BREAKDOWN & HANGING LOCATIONS - TRADITIONAL OR



TYPICAL EYEBOLT LOCATION

HGP SECTIONS TO BE HUNG WITH PRE-STRESSED 12 GA. HANGER WIRE TO SLAB OR STRUCTURAL STEEL ABOVE THE CEILING ACCORDING TO ASTM C636, OR LOCAL BUILDING CODES (AS APPLICABLE)



TYPICAL HANGER WIRE SPACING

EACH HGP MODULE COMES WITH 4 EYE BOLTS FOR HANGING. PRICE RECOMMENDS HANGING SYSTEM EVERY ~4' AS REQUIRED

ULTRASUITE SYSTEM SHIPS IN 3 SECTIONS TO BE FASTENED TOGETHER IN THE FIELD BY OTHERS WITH HARDWARE PROVIDED BY PRICE

- ULTRASUITE SHIPS IN FACTORY WELDED SHIP SECTIONS TO BE FASTENED TOGETHER IN THE FIELD BY OTHERS
- MOUNTING LOCATIONS ARE SHOWN FOR REFERENCE ONLY. EXACT MOUNTING LOCATIONS TO BE DETERMINED BY THE EOR OR INSTALLER ON THE PROJECT AND MUST COMPLY WITH ALL APPLICABLE CODES AND STANDARDS.

**PRICE** | **CRITICAL ENVIRONMENTS**

Project:

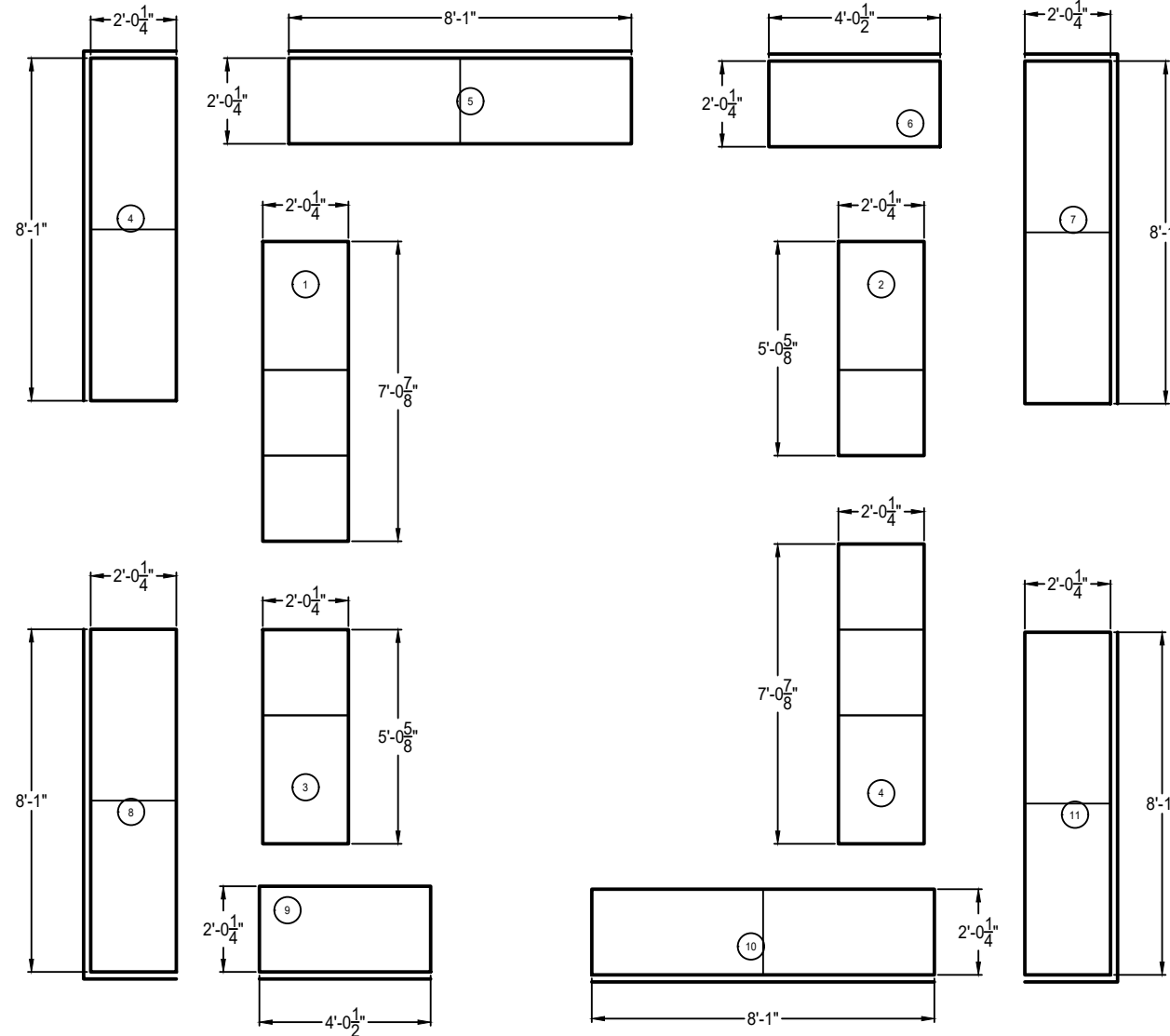
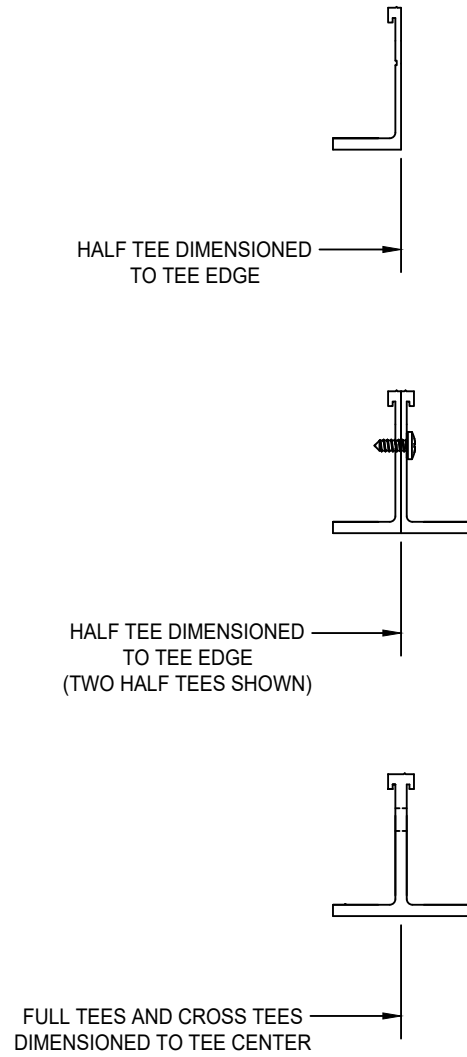
275013

Revision: 0

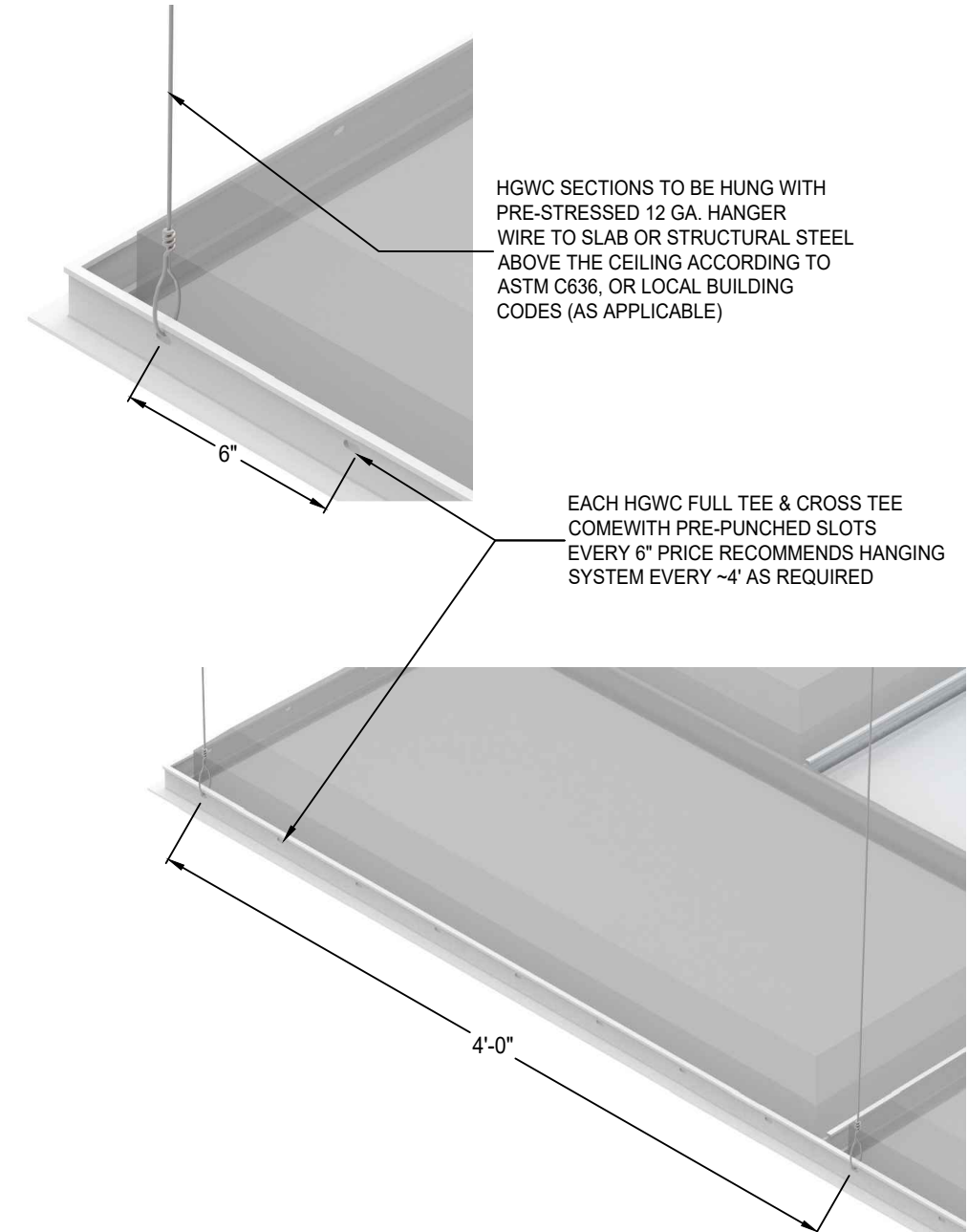
04-28-2023

# HGP

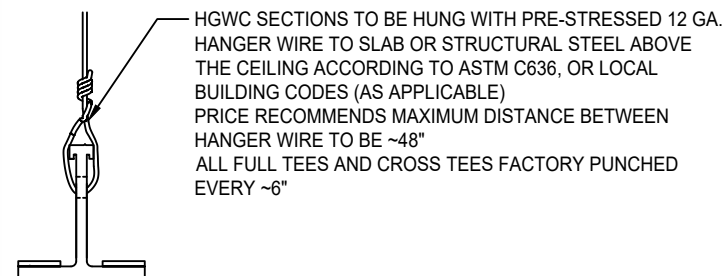
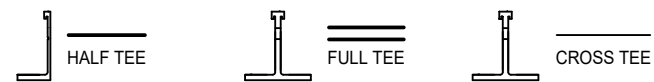
## HOSPITAL GRADE COMMON PLENUM SYSTEM HGWC SHIP SECTION BREAKDOWN & HANGING DETAILS - TRADITIONAL OR



TYPICAL HANGER WIRE LOCATION



TYPICAL HANGER WIRE SPACING



- THE HGWC GRID IS SUPPLIED IN MULTIPLE FACTORY ASSEMBLED SECTIONS NO LARGER THAN 10'x4'
- THE CEILING IS FACTORY PRE-MANUFACTURED TO SIZES AND TOLERANCE +/- .16"

**PRICE** | **CRITICAL ENVIRONMENTS**

Project:

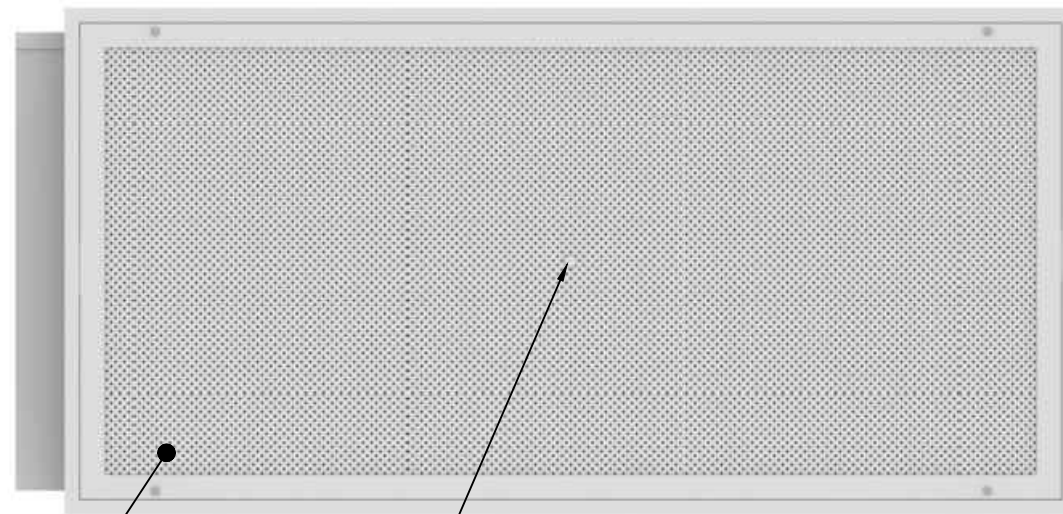
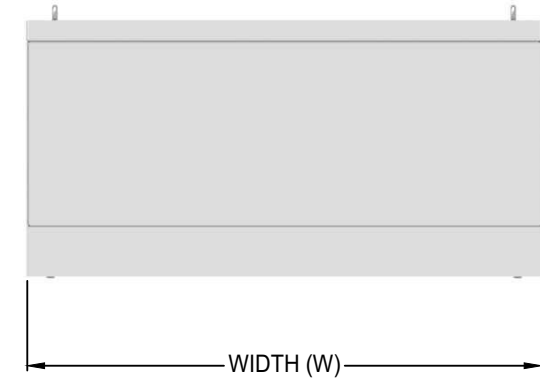
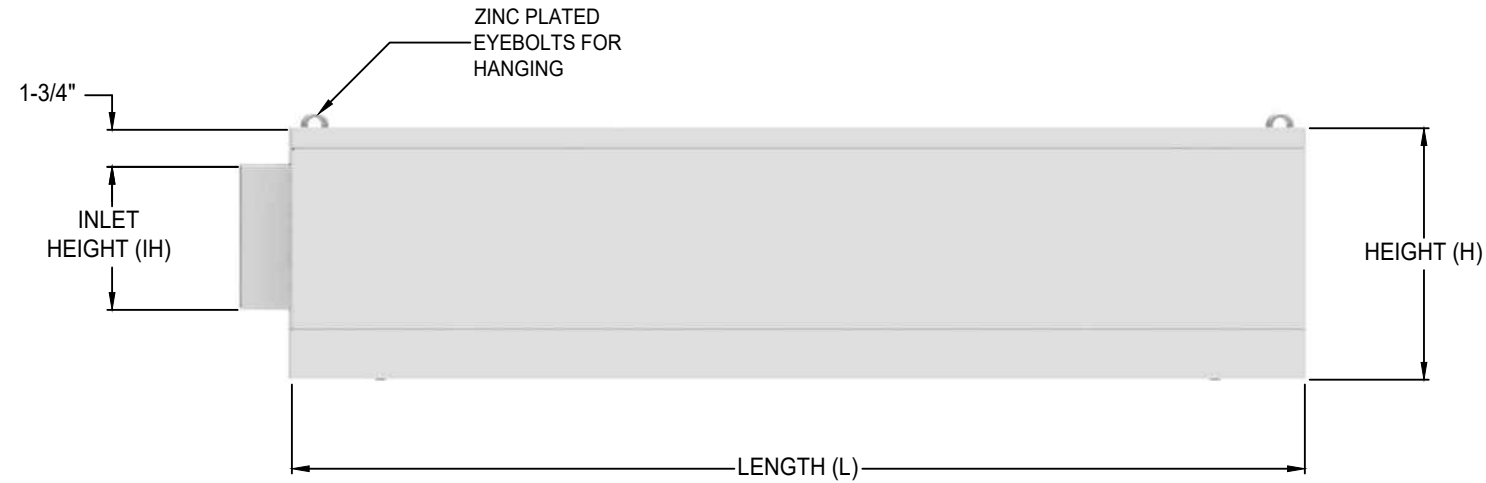
275013

Revision: 0

04-28-2023

# HGP

## HOSPITAL GRADE COMMON PLENUM SYSTEM

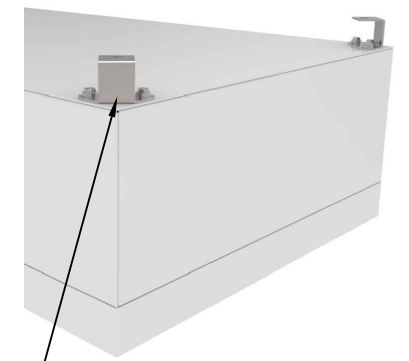


PERFORATED  
DIFFUSER FACE  
13% FREE AREA

FACE ACCESSIBLE  
APERTURE DAMPER  
FACE PLUG



OPTIONAL GALVANIZED FLUSH  
BRACKETS (BR) FOR HANGING



OPTIONAL GALVANIZED CORNER  
BRACKETS FOR HANGING

### STANDARD CONSTRUCTION

- 14 GA (.064" THICK) ALUMINUM PLENUM
- EXTRUDED ALUMINUM OUTER FRAME AND DIFFUSER FACE FRAME
- TIG WELDED PLENUM, DIFFUSER FACE AND OUTER FRAME
- ZINC PLATED EYE BOLTS FOR HANGING
- OPTIONAL GALVANIZED FLUSH BRACKETS FOR HANGING
- OPTIONAL GALVANIZED CORNER BRACKETS FOR HANGING
- ROOM-SIDE ADJUSTABLE APERTURE PLATE DAMPER
- TWO STAINLESS STEEL RETAINER CABLES PER DIFFUSER FACE
- DIFFUSER FACE SECURED WITH 1/4 TURN FASTENERS

### FINISH

- B12 WHITE
- OPTIONAL AMB12 ANTI-MICROBIAL WHITE

STANDARD MODULE SIZING CHART					
NOMINAL (W)	NOMINAL (L)	ACTUAL (W)	ACTUAL (L)	HEIGHT (H)	
				MIN	MAX
24.000	24.000	24.250	24.250	7	18
24.000	36.000	24.250	36.375	7	18
24.000	48.000	24.250	48.500	7	18

- STANDARD HEIGHT (H) = 12"
- MINIMUM HEIGHT WITH HEPA FILTER = 9"
- MINIMUM WIDTH WITH HEPA FILTER = 12"
- MAX INLET HEIGHT (IH) = HEIGHT (H) - 5"
- MAX INLET HEIGHT (IH) WITH HEPA = HEIGHT (H) - 7"

PRICE CEILING SYSTEM WEIGHTS		
PRICE SUPPLIED COMPONENTS	TOTAL SQUARE FEET = 384 SQ.FT.	631 lbs.
HGP	96 SQ.FT.	451 lbs.
HGWC	144 SQ.FT.	72 lbs.
PANELS	144 SQ.FT.	108 lbs.

**price** | **CRITICAL ENVIRONMENTS**

Project:

275013

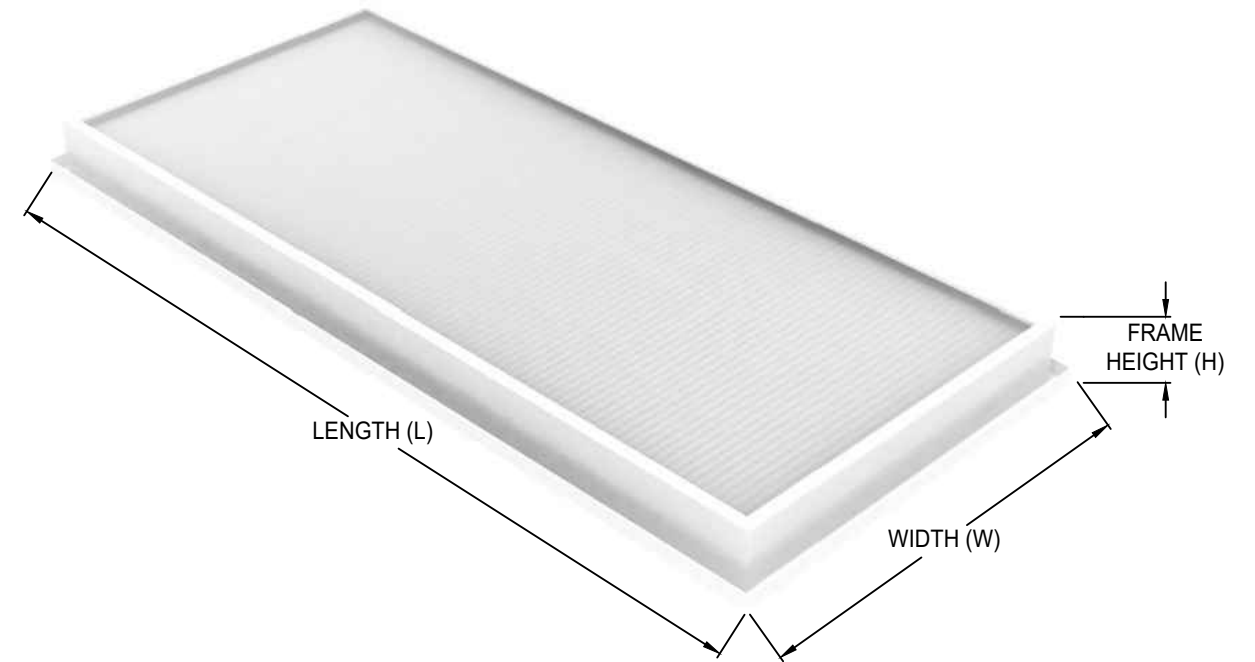
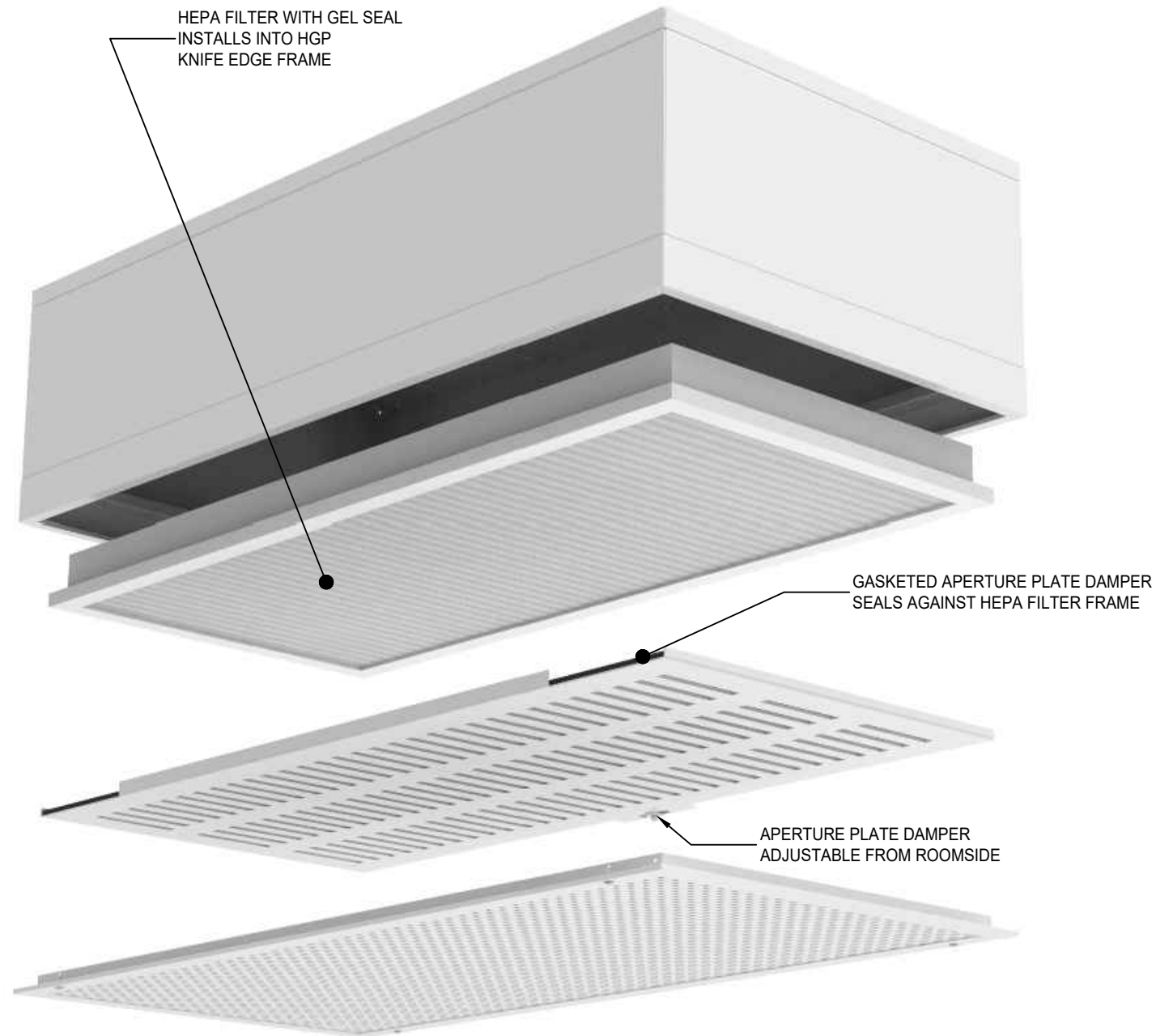
Revision: 0

04-28-2023

# HGP

## HOSPITAL GRADE COMMON PLENUM SYSTEM

○ OPTIONAL ROOMSIDE HEPA FILTRATION



FILTER SIZING CHART				
REPLACEMENT PART #	NOMINAL (W)	NOMINAL (L)	ACTUAL (W)	ACTUAL (L)
042299-029	24	24	21.31	21.31
042299-030	24	35	21.31	32.06
042299-032	24	48	21.31	45.56

**NOTES:**

- FILTER PLEATS RUN PARALLEL TO THE WIDTH (W) DIMENSION
- DIMENSIONS W & L TOLERANCES  $\pm \frac{1}{16}$
- FILTERS COME WITH GEL SEAL FILLED CHANNEL
- FILTERS MUST BE ORDERED SEPARATELY UNDER THE FTR-1-X LINESTRING

**FRAME DETAILS:**

- MATERIAL: ANODIZED EXTRUDED ALUMINUM
- THICKNESS:  $\frac{1}{16}$  (MINIMUM)
- FILTERS ARE UL 900 CLASS 1 CERTIFIED
- EFFICIENCY AND LEAK SCAN TESTED
- HEPA EFFICIENCY: 99.99% (.3 MICRON)
- MINIMUM MODULE WIDTH FOR ROOMSIDE HEPA FILTRATION IS 12"



Project:

275013

Revision: 0

04-28-2023

VISIT PRICE INDUSTRIES WEBSITE FOR FILTER QUICK START GUIDE

<https://www.priceindustries.com/content/uploads/assets/literature/manuals/section%20e/ftr-room-side-replaceable-filter-rsr-quick-start-guide.pdf>

NOTE:

UL 1598 DOES NOT HAVE PROVISIONS FOR HEPA FILTERS MOUNTED WITHIN FIXTURE. USA COMPLIES WITH UL 1598 WITH HEPA FILTERS ORDERED SEPERATELY ON FTR-1-X LINESTRING.

# HGP

## HOSPITAL GRADE COMMON PLENUM SYSTEM

○ OPTIONAL ROOMSIDE HEPA FILTRATION

### FILTER HOLD DOWN TAB DETAIL



FILTER HOLD  
DOWN TAB

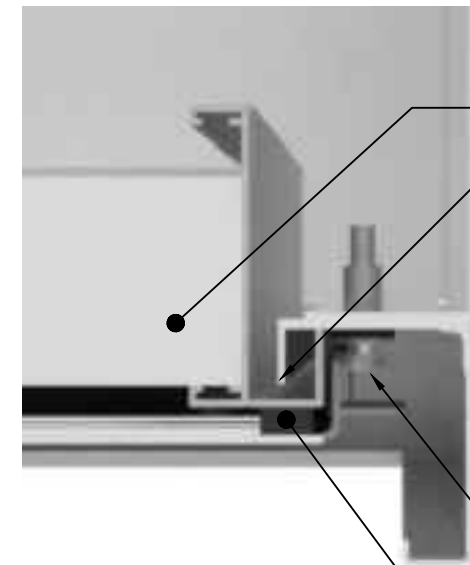


APERTURE PLATE  
DAMPER WITH UL2043  
RATED GASKET  
SEALS AGAINST  
THE KNIFE EDGE

KNIFE EDGE

HEPA FILTER  
GEL SEAL

### STATIC PRESSURE PORT DETAIL



HEPA FILTER

KNIFE EDGE

STATIC  
PRESSURE  
PORT

APERTURE PLATE  
DAMPER WITH UL2043  
RATED GASKET  
SEALS AGAINST  
THE HEPA FRAME

**price** | **CRITICAL ENVIRONMENTS**

Project:

275013

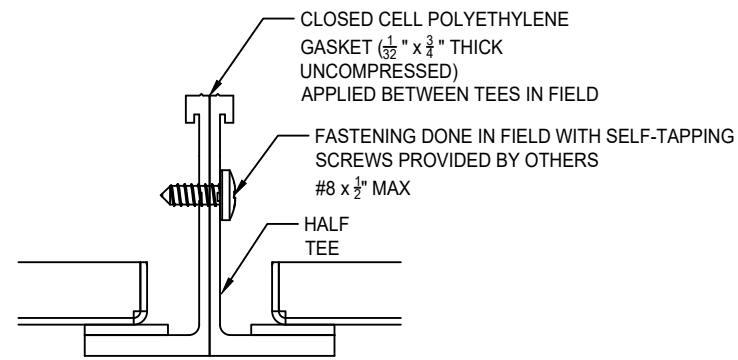
Revision: 0

04-28-2023

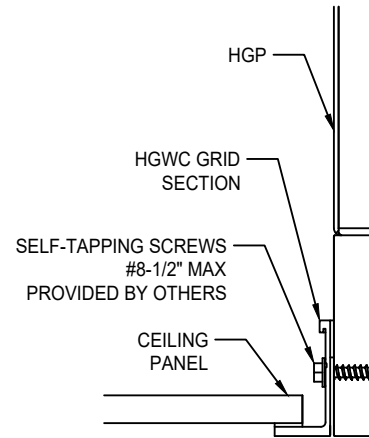


# HGP

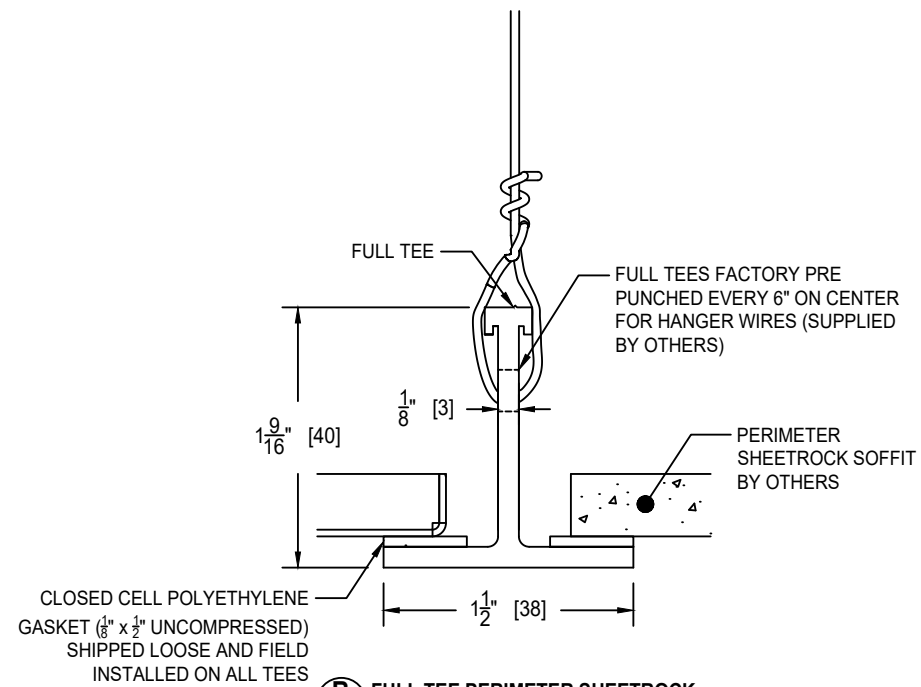
## HOSPITAL GRADE COMMON PLENUM SYSTEM HGWC INTEGRATION DETAILS



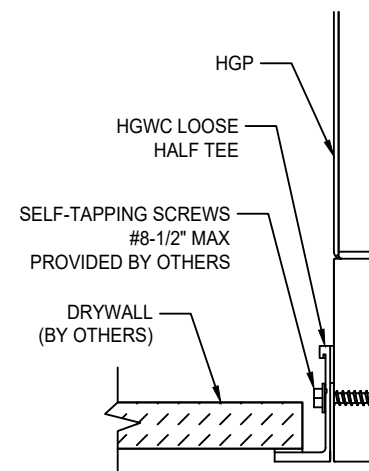
**A** HALF TEE FIELD JOINT



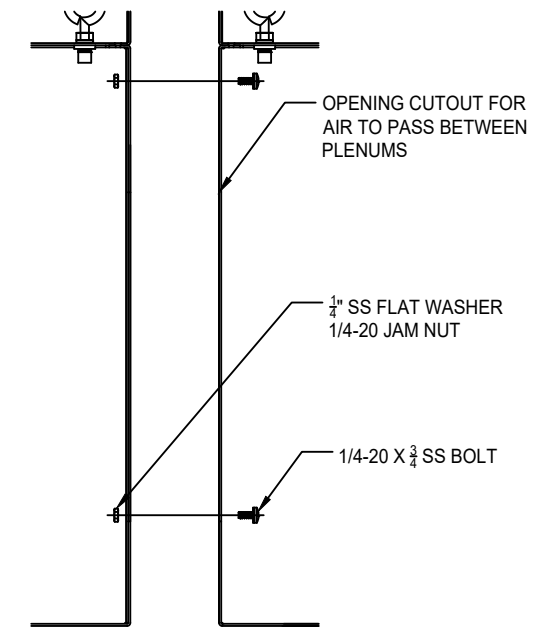
**C** HGWC GRID INTEGRATION



**B** FULL TEE PERIMETER SHEETROCK SOFFIT DETAIL



**D** PERIMETER HALF TEE INTEGRATION

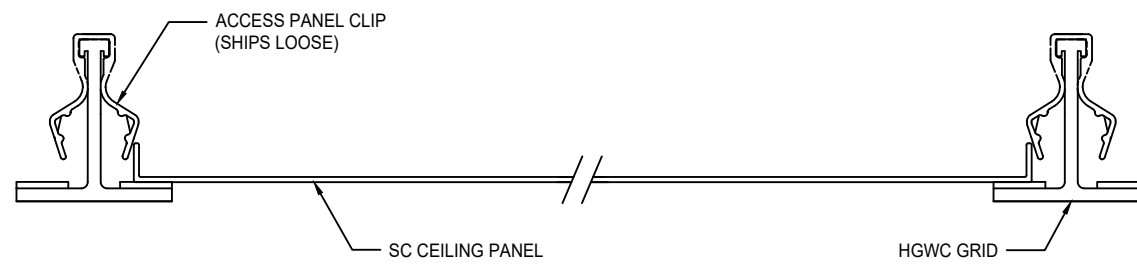
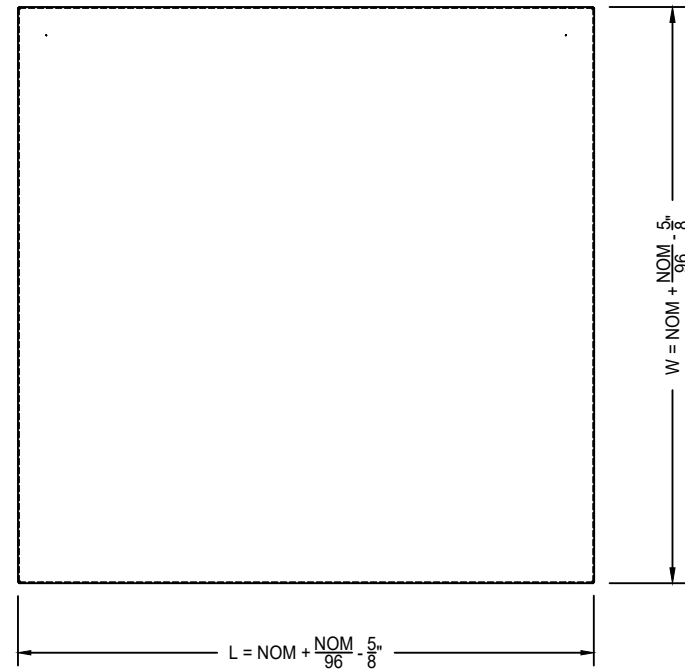


**E** BOLTED JOINT ASSEMBLY

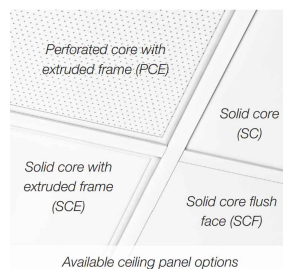
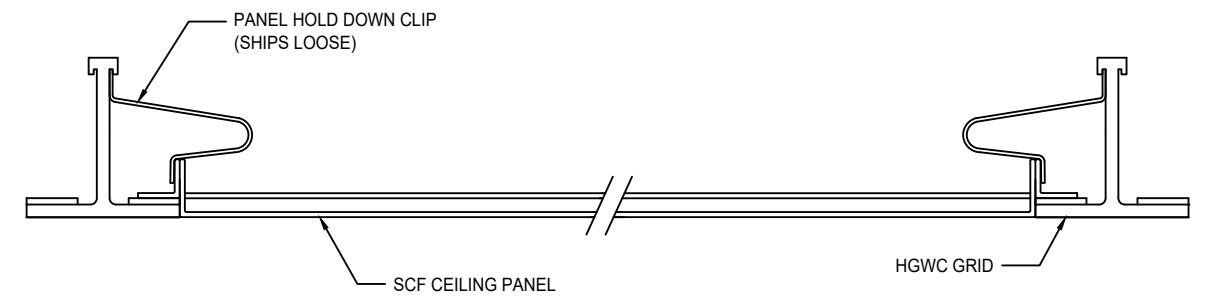
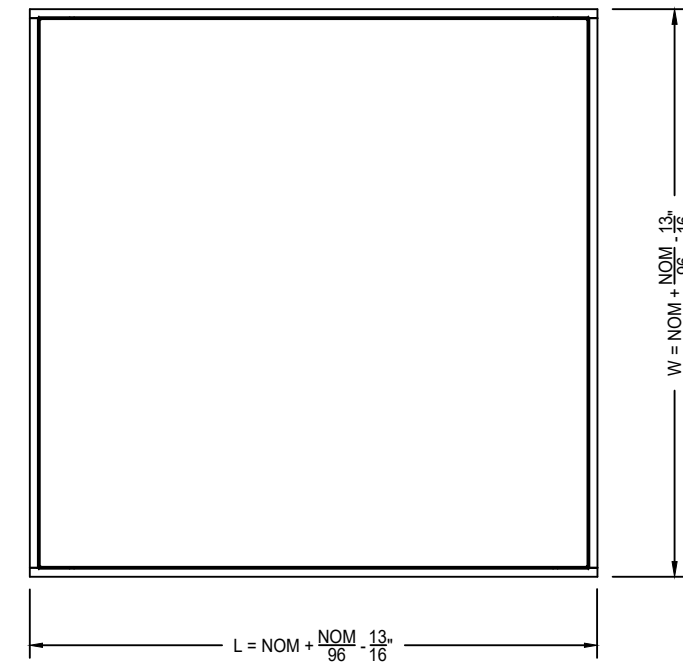
# HGP

## HOSPITAL GRADE COMMON PLENUM SYSTEM

### SC - SOLID CORE



### SCF - SOLID CORE WITH FLUSH MOUNT FRAME



**PANEL MATERIAL / FINISH:**

- SC PANEL - .080" ALUMINUM / B12 STANDARD WHITE
- SCF PANEL - .040" ALUMINUM / B12 STANDARD WHITE

**CEILING TYPE:**

- HGWC - 1 1/2" HOSPITAL GRADE WELDED CEILING SYSTEM



Project:

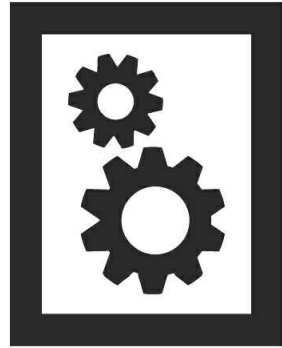
275013

Revision: 0

04-28-2023

# HGP

## HOSPITAL GRADE COMMON PLENUM SYSTEM SUPPORTING CONTENT



### MANUALS

HOSPITAL GRADE COMMON PLENUM MANUAL  
FTR ROOM-SIDE REPLACEABLE FILTER (RSR) QUICK START GUIDE  
HGWC HOSPITAL GRADE WELDED CEILING SYSTEM MANUAL



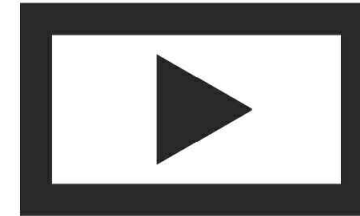
### SUBMITTALS

FTR REPLACEMENT FILTER SUBMITTAL  
HGWC HOSPITAL GRADE WELDED CEILING SYSTEM SUBMITTAL



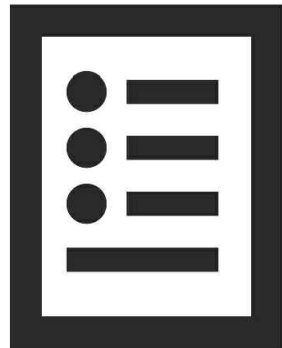
### CATALOGUE / PERFORMANCE

HGP HOSPITAL GRADE COMMON PLENUM CATALOGUE



### VIDEOS

HGP OPERATING ROOM CEILING SYSTEMS

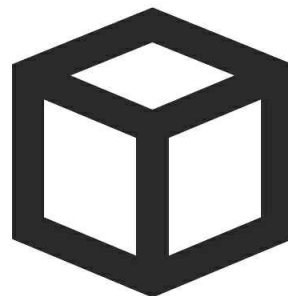


### SPECIFICATIONS

HGP HOSPITAL GRADE COMMON PLENUM SPECIFICATIONS



FOR MORE INFORMATION ON PRICE HOSPITAL GRADE COMMON PLENUM SYSTEMS, VISIT [PRICEINDUSTRIES.COM](https://www.priceindustries.com)



### REVIT FILES

HGP TRADITIONAL OR REVIT FILE

**price** | **CRITICAL ENVIRONMENTS**

Project:

275013

Revision: 0

04-28-2023